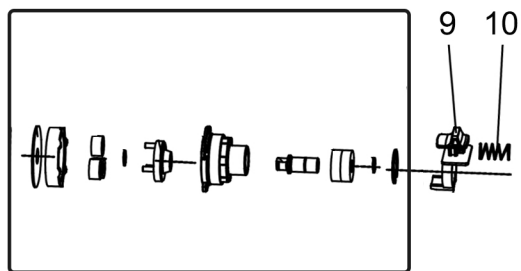
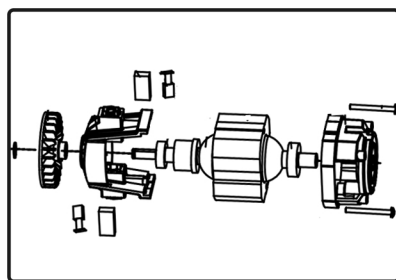
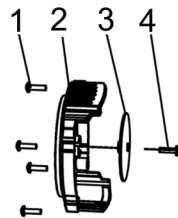
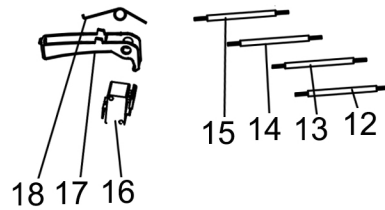
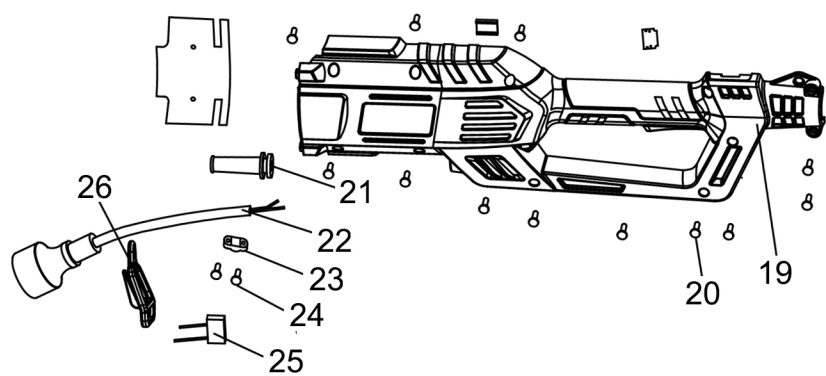
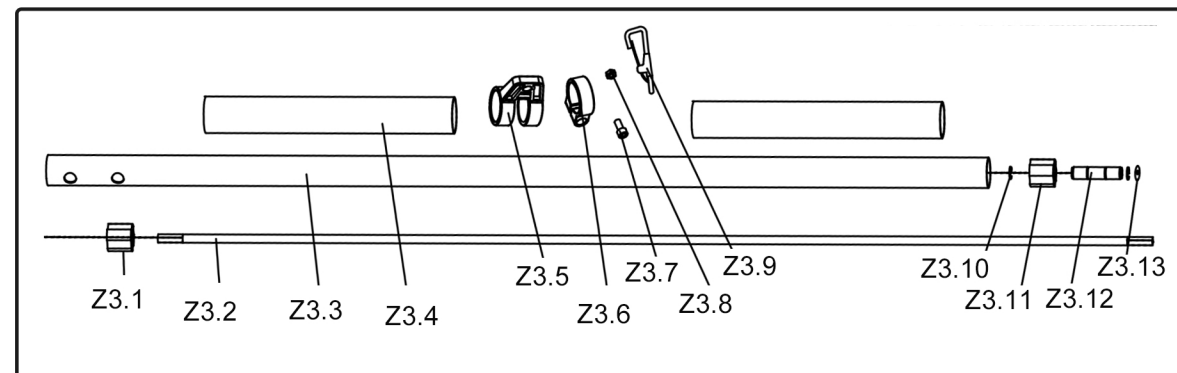


Z1

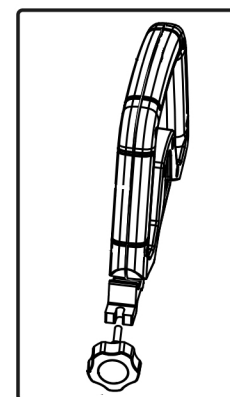
Z2



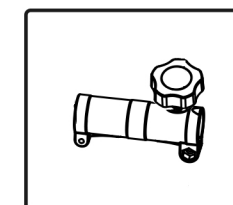
Z3



Z4

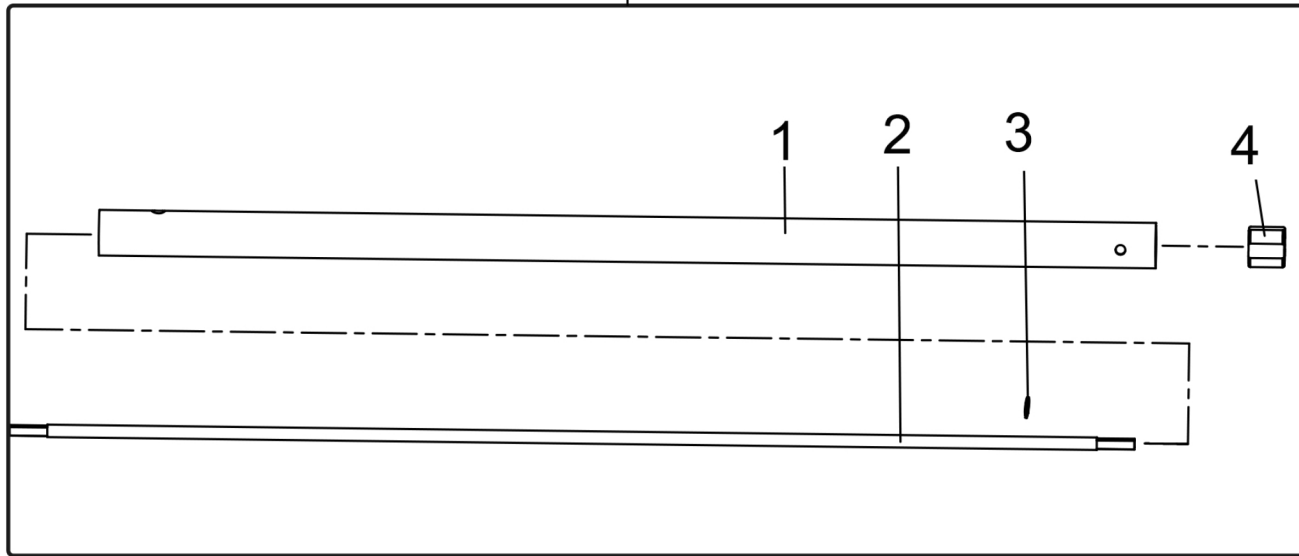


Z5

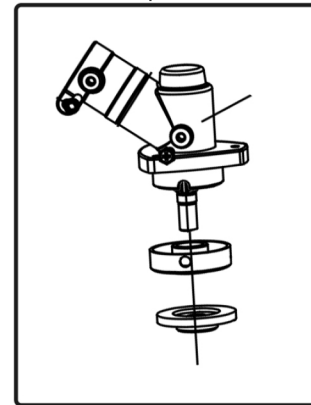


Pos Nr	Part Number	Name(EN)	QTY
1	8SBAQA04-16	screw	1
2	8069-410001	rear cover	1
3	8025-410001	fan ring	1
4	8SBAQA04-14	screw	1
5	8028-410001	shock pad	2
6	8130-870001	terminal strip	1
7	8089-410001	green shell paper	2
8	8001-410001	left housing	1
9	8058-410001	switch push button	1
10	8060-410002	reset spring	1
11	8047-410001	straps	1
12	8027-410001	internal wiring1	1
13	8027-410002	internal wiring2	1
14	8027-410003	internal wiring3	1
15	8027-410004	internal wiring4	1
16	8032-410001	micro switch	1
17	8157-410001	switch trigger	1
18	8060-410003	switch button spring	1
19	8002-410001	right housing	1
20	8SBAQA04-16	screw	12
21	8023-810001	cable protection cover	1
22	8029-410001	power cord	1
23	8SBAQA04-14	screw	2
24	8053-810001	cable plate	1
25	8033-410001	capacitance	1
26	8103-890001	hanging line buckle	1
Z3.1	8023-410003	Φ7 bearing	2
Z3.2	8020-410002	drive shaft1	1
Z3.3	8038-410001	aluminum tube	1
Z3.4	8023-410002	spongia cover	2
Z3.5	8103-174101	buckle	1
Z3.6	8103-174102	buckle	1
Z3.7	8SACQM05-15	inside hexagonal bolt	1
Z3.8	8NAD-06	nut	1
Z3.9	8083-410002	hook	1
Z3.10	8CA-10	steel wire ring	2
Z3.11	8023-410004	Φ10 bearing	1
Z3.12	8020-410003	ntermediate coupling shaft	1
Z3.13	8030-410005	external Gear lock piece	1
Z1	585ADJMOTRO	Motor Assy	1
Z2	78559Gear	Gear case assy	1
Z3	769856ALUPO	Alu Pipe assy	1
Z4	1970078HANDLE	Handle assy	1
Z5	28580CONNECTOR	Pipe connector assy	1

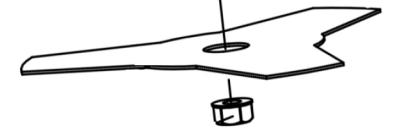
Z1



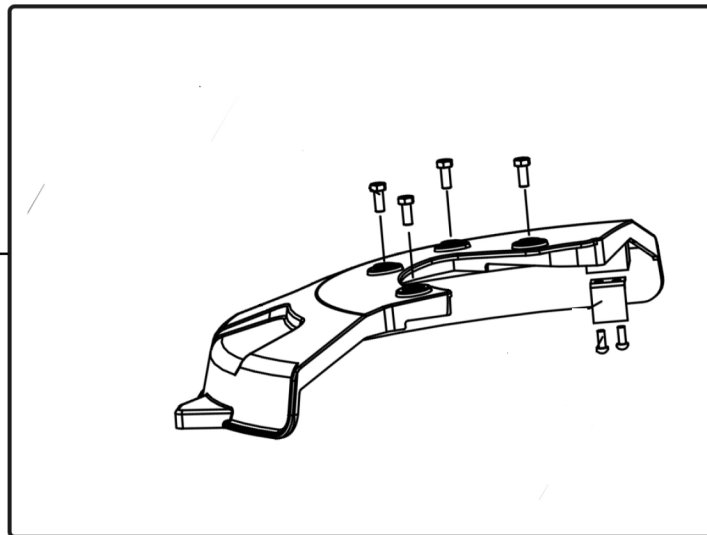
Z2



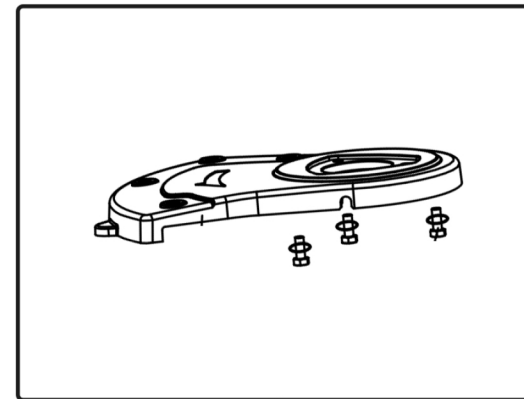
Z5



Z4



Z3



Z6



NO.	Part Number	Name(EN)	QTY
1	8160-410101	grass trimmer aluminum tube components	1
2	8020-410101	axis of rotation	1
3	8CC-07	snap spring	1
4	8023-410003	Φ7 bearing	2
Z1	8998143AA	Pipe assembly two	1
Z2	8958KBKA2	Gear box assy	1
Z3	8070-410101	Alu guard cover	1
Z4	8070-AA145663	Guard cover	1
Z5	8132-410201	blade	1
Z6	81246-554ADDB	Bump head assy	1